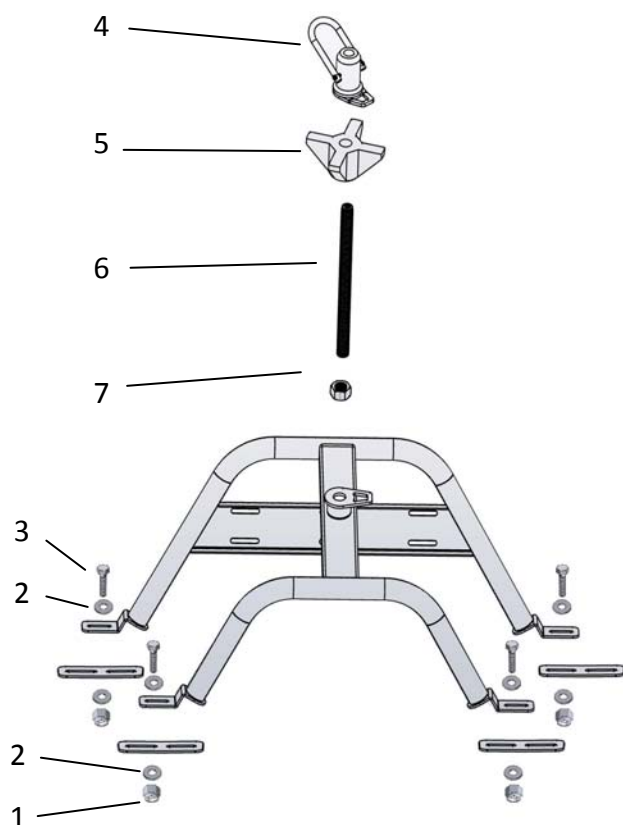


UBM 24041
ANGLED BED MOUNT (CRAB MOUNT)**Tool List**

- Box wrench set
- Hand Drill
- Socket set
- 3/8" drill bit

**Parts List**

- | | | |
|----|--------------------------------|---|
| 1. | 10m-1.5 NY Loc Nut | 4 |
| 2. | 3/8 Flat Washer | 8 |
| 3. | 10m-1.5 x 30m Bolt Full Thread | 4 |
| 4. | Wheel Threaded Fastener | 1 |
| 5. | Bushing Cone, 1" | 1 |
| 6. | 1" Rod | 1 |
| 7. | Nut Plate, Bed Mount (PN24044) | 4 |



Step 1: Place the bed mount in the truck bed so that when the tire is installed, it will not make contact with the truck bed. Locate the four feet of the bed mount so that when holes are drilled, the bolts do not interfere with anything under the bed. Make sure the feet of the bed mount are placed on the tops of the channels that run lengthwise along the bed floor and not in the channel bottoms. (*the nut plates are shaped to snug up underneath the bed within the bottom side of the raised channels*)

Step 2: Drill 4 holes through the truck bed, 1 hole for each of the feet of the bed mount.

Step 3: Select four M10x1.5 fully threaded bolts and 4 flat washers and place them in the holes.

Step 4: Select four M10x1.5 nuts and 4 flat washers AND the 4 black nut plates. Place the nut plate up inside the channel over the bolt and then place a washer and a nut over. Before you fully tighten bolts, micro-adjust bed mount in the bed so that it is square and visually appropriate. Tighten the nuts down under the bed. 35 foot pounds of torque is recommended.

Step 5: Grease the threads inside the bed mount, then grease the threads on the last 2 inches of the YBar bolt.

Step 6: Install the tire on the bed mount, then place YBar bushing cone inside wheel/hub hole. Thread YBar bolt through the bushing and wheel and tighten. When tight, turn one more 1/4 turn.