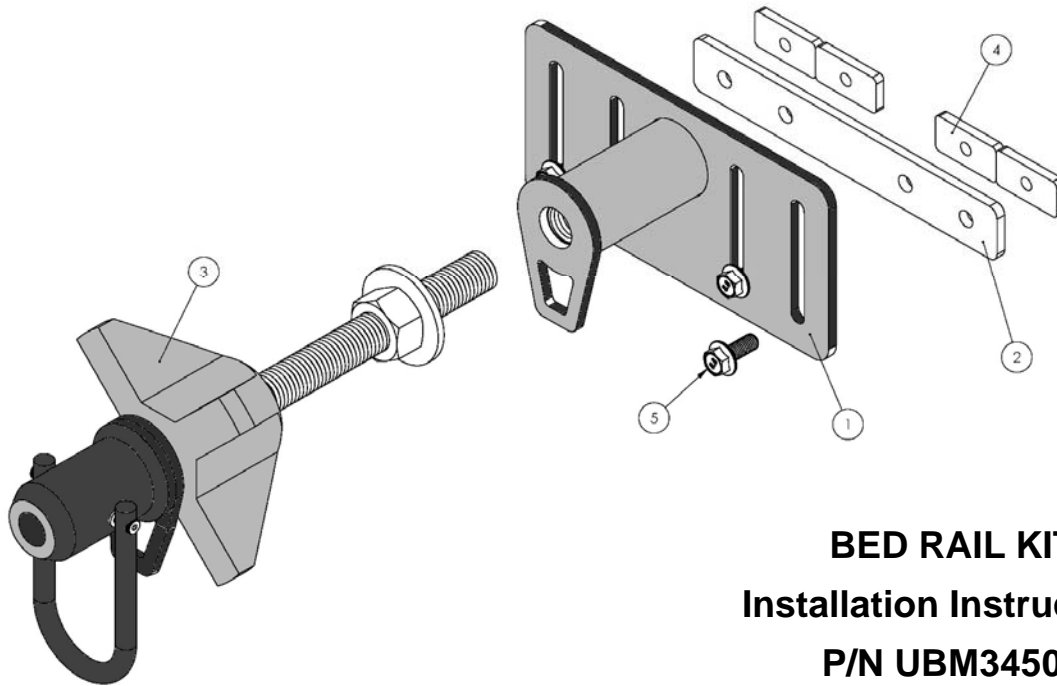


**BEDRAIL TIRE CARRIER****Tool List**

- Box wrench set
- Socket set

**Parts List**

1.	TIRE MOUNT	1
2.	SPACER PLATE	1
3.	HUB ASSEMBLY	1
4.	BEDRAIL CLAMPS	4
5.	FLANGE BOLTS	4

**BED RAIL KIT  
Installation Instructions  
P/N UBM34507**

This unit is designed to be used in combination with a bed deck rail as with the Toyota Tundra PN# PT271-34070 or similar. This unit can also be used independently without any bed rail by direct bolt up to a flat surface.

