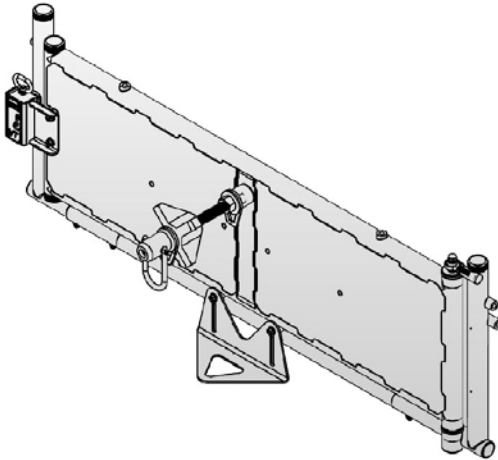


VT TIRE GATE ASSEMBLY INSTRUCTIONS

Tool List

- Box wrench set
- Socket set



Hardware

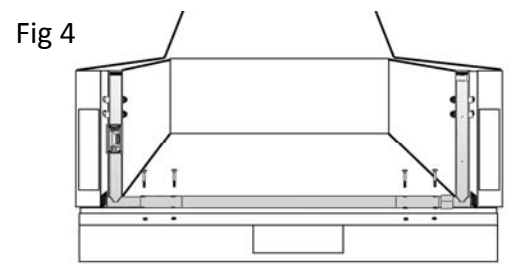
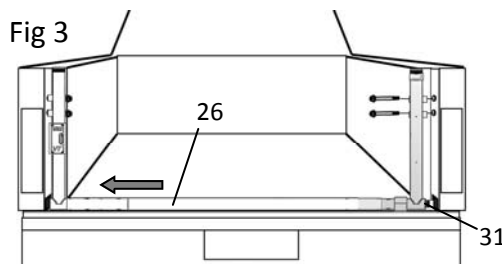
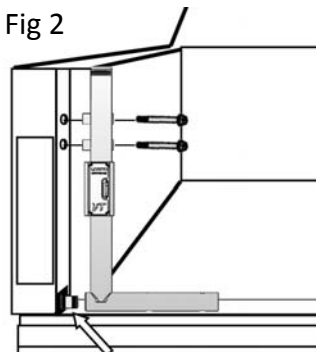
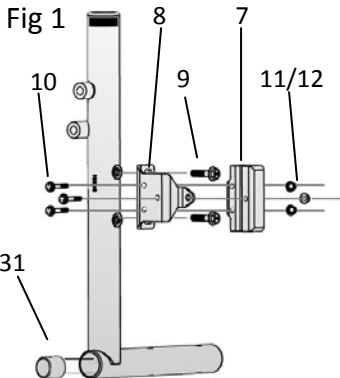
1. Ball Joint Rod End	1	14. Bolt 10mm x 2-3/4	4
2. Nut Lock 10mm	8	16. Jam Nut 5/8"	1
3. Washer Flat 3/8	8	17. TireGate	1
4. Bolt 10mm x 3"	2	18. Wheel Support Plate	1
5. Latch	1	19. Bolt 10mm x 3"	2
6. Quick Pin 1/2" x 4-1/2"	1	20. Bolt 1/2" x 21"	1
7. Latch Block	1	22. Washer	1
8. Latch Bracket	1	26. Torque Tube Large	1
9. Bolt 10mm x 1-1/2	2	31. Pivot Cup/Adaptor	2
10. Bolt 1/4 x 1-3/4	3	32. Wheel Cone	1
11. Nut Lock 1/4"	3	33. Threaded Rod	1
12. Washer 1/4"	3	34. Jam Nut 1"	1
13. Cap Plug	3	35. Wheel Hub Fastener	1

Step 1: Verify all carton contents were received per the enclosed parts breakdown

Step 2: Remove the OEM tailgate: Disconnect any back up cameras, wiring ect. Note: you may need to lower your spare tire to gain access to the wiring harness plugs. Support the weight of your factory gate, unclip the tailgate cables from your truck and remove your factory gate, storing it in a safe location. Make sue any attachments to the factory pivot tubes are removed.

Step 3: Install VERTICAL UPRIGHT & TORSION TUBE

1. Install the LATCH BRACKET #8 on to the DS VERTICAL UPRIGHT with 2 - 10mm Bolts #9, (Fig 1) .
2. Install the LATCH BLOCK #7 into the LATCH BRACKET #8 with 3 - 1/4 bolts #10, nuts #11, washers #12 (Fig 1).
3. Install the proper Pivot Cup/Adaptor for your application. Verify the Pivot Cup # 31 fits your vehicles factory pivot flange and install the Pivot Cup/Adaptor to the lower tube on the DS Vertical Upright. (Fig 1).
4. Install the DS Vertical Upright onto the trucks Pivot Flange and align the mounting bolts to the vehicles factory mounting locations, leave bolts loose do not tighten (Fig 2).
5. Install the long Torque Tube #26 to the DS Vertical Upright, sliding all the way onto the lower upright tube, do not install bolts at this time (Fig 2).
6. Install the PS Vertical Upright onto the Torque Tube #26, slide all the way into the tube.
7. Install the matching Pivot Cup/Adaptor #31 into the lower PS Vertical Upright and move inward to the truck bed aligning the lower tube of the Vertical Upright with the trucks Pivot Flange and align the mounting bolts to the vehicles factory mounting locations, do not tighten the bolts at this time (Fig 3).
8. Center the Torque Tube aligning the mounting holes in the Torque Tube with both Vertical Upright lower tube mounting holes, install the mounting bolts (10mm x 2-3/4 bolts and hardware (Fig 4) Tighten all hardware to secure the Vertical uprights to the truck then the Torque Tube to the Vertical Uprights. The assembly should now be secure and tight.



VT TIRE GATE ASSEMBLY INSTRUCTIONS

Tool List

- Box wrench set
- Socket set

Step 4: Install TIREGATE

1. Install the 5/8 Jam Nut #16 all the way onto the Ball Joint Rod End #1. Thread the Ball Joint Rod End #1 all the way into the PS Vertical Upright, do not tighten the jam nut #16 yet. (Fig 5).
2. Installing the Gate #17 to the PS Vertical Upright requires two adult persons, one to hold and balance the Gate the other to align and install the washer and bolt. Set the Gate #17 on the lower Vertical Upright arm, tilt upward to align with the Ball Joint Rod End #1, place the Washer #22 under the Rod End #1 and on top of the Gate #17 while aligning the holes drop the 19-21" long bolt through the Rod End #1, Washer #20, Gate #17 and into the Vertical Upright Tighten in Place (Fig 6).
3. Install the Latch #5 to the Gate #17 using 2 bolts and hardware #2,3,4, do not tighten at this time (Fig 7).
4. Install the 3 Cap Plugs #13 top and bottom and to the rear of the Gate #17.
5. Close the Gate #17 to the LATCH BRACKET #8 on the DS Vertical Upright, adjust both until the Latch Bracket and Latch align and work together, Tighten both at this time. Confirm by installing Quick Pin #6, adjust if needed.
6. Install the Wheel Support Plate #18 using two 10mm x 3" bolts, washers and Nuts to the lower side of the Gate #17 (Fig 8).
7. Install the Jam 1" Nut #34 onto the Threaded Rod #33, screw in the Threaded Rod #33 into the Center Gate mount #17, Slide on the Wheel Cone #32 onto the Threaded Rod then thread the Wheel Hub Fastener #35 onto the Threaded Rod #33 (Fig 8).
8. Your Wilco TireGate should now be installed. Verify the TireGate moves feely with no obstruction and Inspect every bolt and verify they are all tight and secure. Adjust as needed (Fig 4)

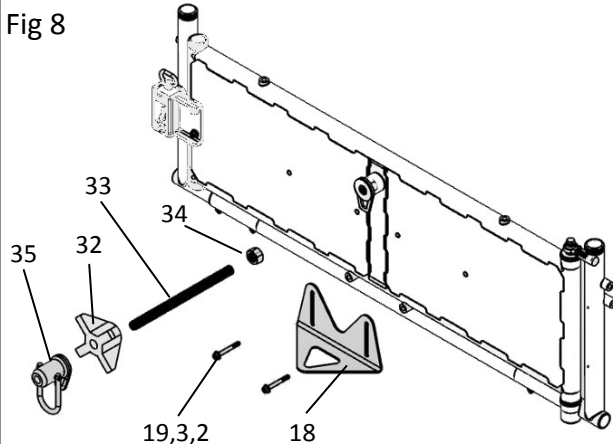
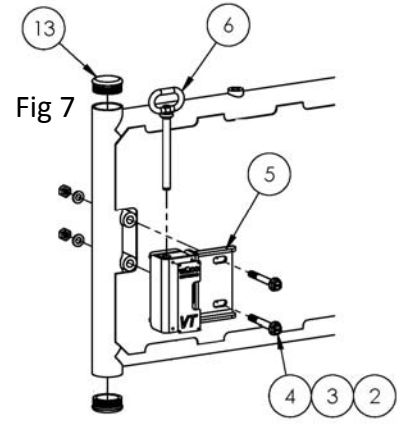
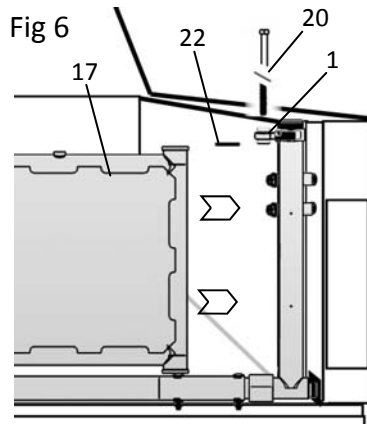
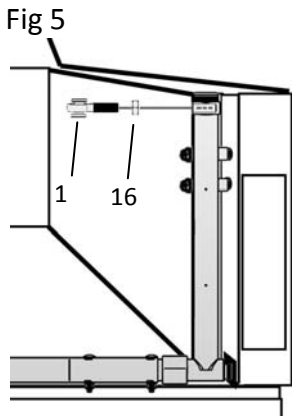


Fig 9

